



# 10/100Base-T Single Port Transformer module

P/N: NS761201

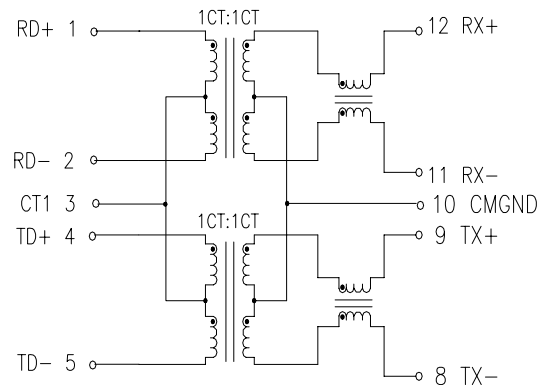
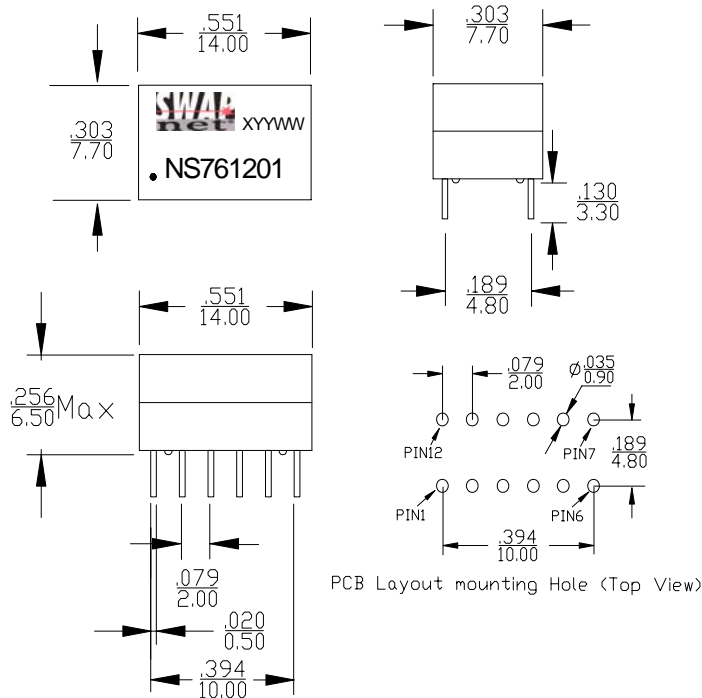
- ★ Designed to meet IEEE802.3u requirement
- ★ Lead-Free & Designed to meet ROHS requirement
- ★ Primary inductance 350μH min with 8mA DC Bias
- ★ Operating temperature range: 0°C to +70°C
- ★ Storage temperature range: 0°C to +85°C

## Electrical Specifications @ 25°C

Part Number	Turn Ratio		Insertion Loss 1~100MHz (dB Max)	Return Loss (dB Min)			Cross Talk (dB Min)			DCMR (dB Min)			Hi-Pot (Vrms MIN)
	Tx	Rx		30MHz	60MHz	80MHz	30MHz	60MHz	100MHz	30MHz	60MHz	100MHz	
NS761201	1:1	1:1	-1.1	-18	-13	-11	-40	-35	-35	-30	-30	-30	1500

### Mechanical

### Schematic



Dimensions: Inches/mm

Unless otherwise specified, tolerances:  $xx.x0 \pm 0.25$ (mm)

$0.xx \pm 0.05$ (mm)

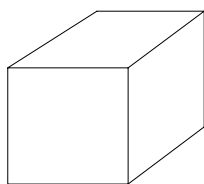
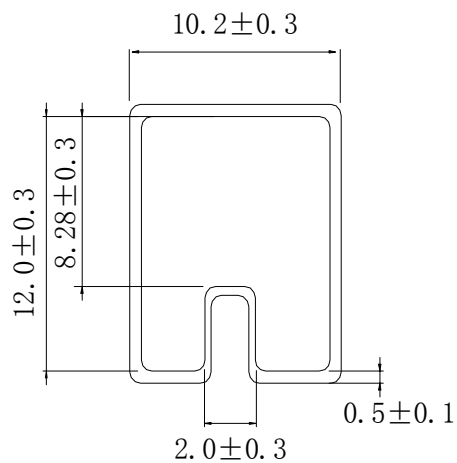
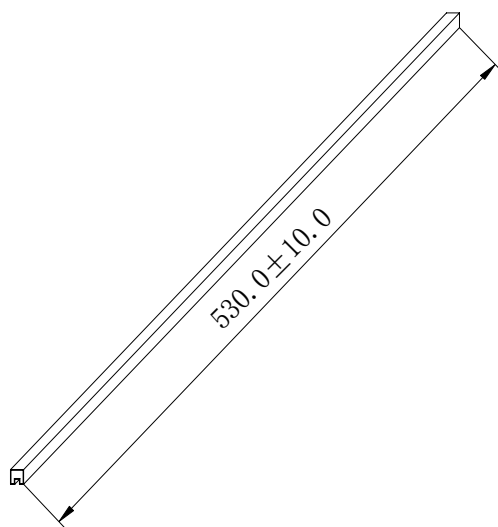
Data sheet subject to change without notice

Headquarter: 13F, No. 111-5, Hsing Te Rd., Sun Chung City, Taipei Taiwan R.O.C.  
 TEL: +886-2-85123848 FAX: +886-2-85123862  
 Overseas Operation Office:  
 Hong Kong Shanghai Shenzhen

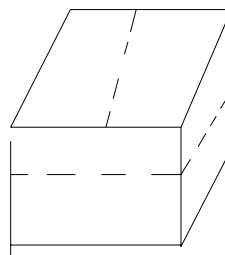


## 10/100Base-T Single Port Transformer module

P/N: NS761201



INNER BOX: 570 (L) X 180 (W) X 100 (H)



EXPORT CARTON: 580 (L) X 380 (W) X 240 (H)

Units: mm

- 1、 MATERIAL TRANSPARENT: PVC  
PLUG COLOR: WHITE
- 2、 ONE TUBE: 36PCS
- 3、 ONE INNER BOX: 3240PCS
- 4、 ONE CARTON: 12960PCS

Headquarter: 13F, No. 111-5, Hsing Te Rd., Sun Chung City, Taipei Taiwan R.O.C.  
TEL: +886-2-85123848 FAX: +886-2-85123862  
Overseas Operation Office:  
Hong Kong Shanghai Shenzhen