



10/100/1000Base-T Quad Port Transformer Module

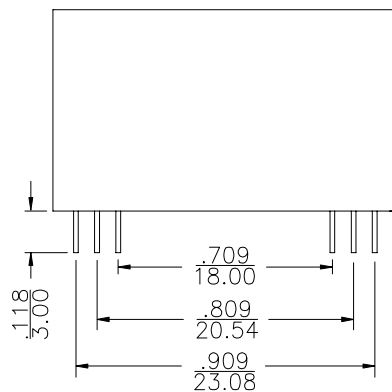
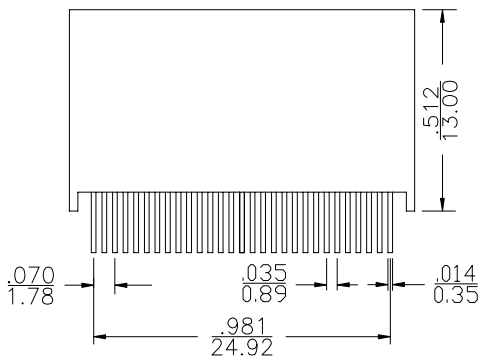
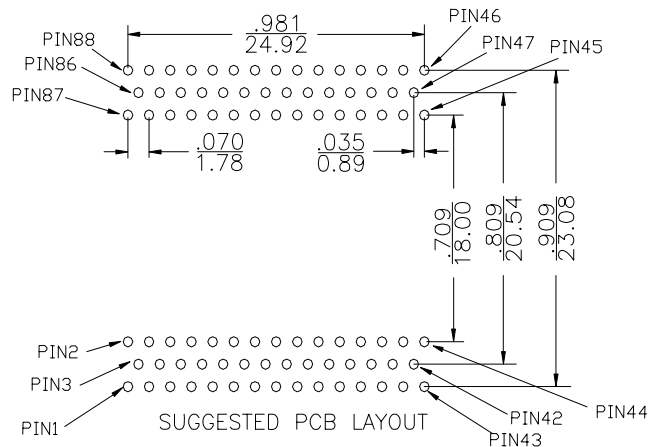
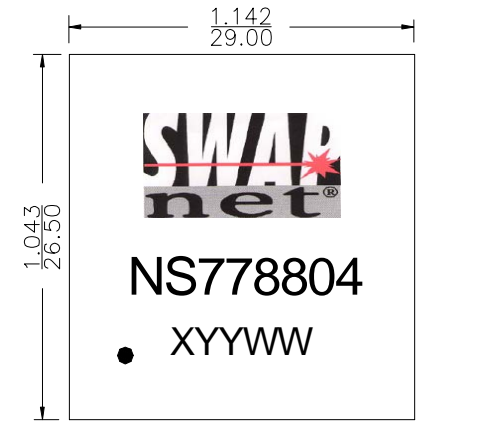
P/N: NS778804

- ★ Designed to meet IEEE 802.3ab and IEEE802.3at requirement
- ★ Lead-Free & Designed to meet ROHS requirement
- ★ Primary inductance 350μH min. with 8mA DC Bias
- ★ Power over Ethernet(PoE) Magnetics,720mA current capability
- ★ Operating temperature range: 0°C to +70°C
- ★ Storage temperature range: 0°C to +85°C

Electrical Specifications @ 25°C

Part Number	Turn Ratio	Insertion Loss 1~100MHz (dB Max)	Return Loss (dB Min)					Cross Talk (dB Min)		CMRR (dB Min)			Hi-Pot (Vrms MIN)
			1-30MHz	40MHz	60MHz	80MHz	100MHz	30MHz	100MHz	30MHz	60MHz	100MHz	
NS778804	1CT:1CT	-1.0	-16	-16	-12	-12	-10	-40	-30	-40	-35	-30	1500

Mechanical



Dimensions: Inches/mm

Unless otherwise specified, tolerances: xx.x0 ± 0.25(mm)

0.xx ± 0.10(mm)

Data sheet subject to change without notice

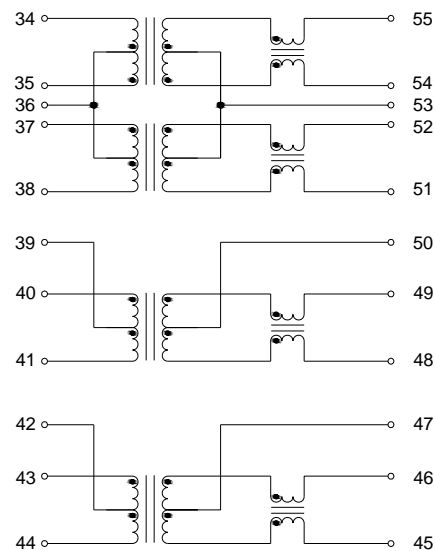
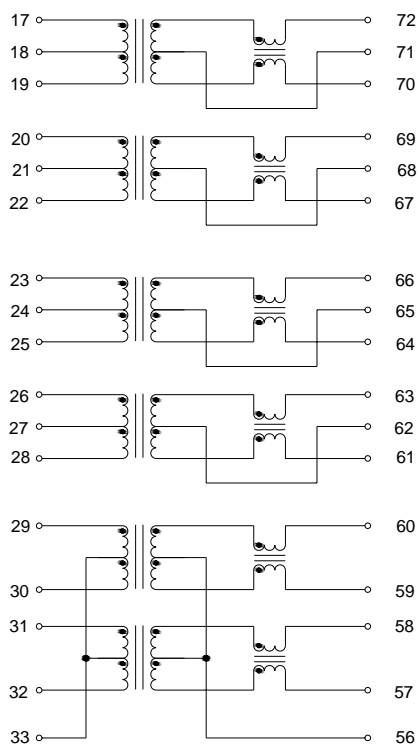
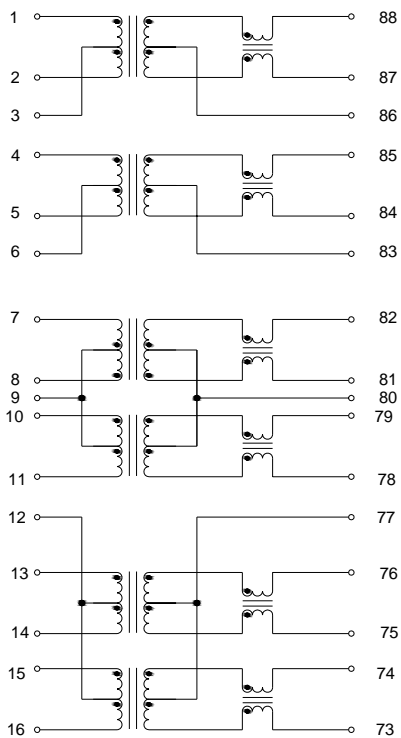
Headquarter: 13F, No. 111-5, Hsing Te Rd., Sun Chung City, Taipei Taiwan R.O.C.
 TEL: +886-2-85123848 FAX: +886-2-85123862
 Overseas Operation Office:
 Hong Kong Shanghai Shenzhen



P/N: NS778804

10/100/1000Base-T Quad Port Transformer Module

Schematics

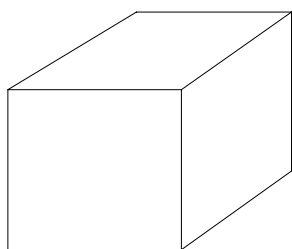
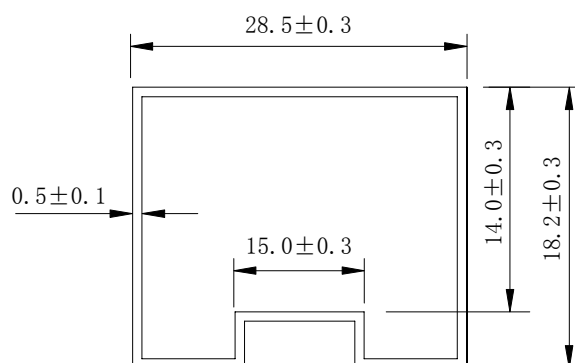
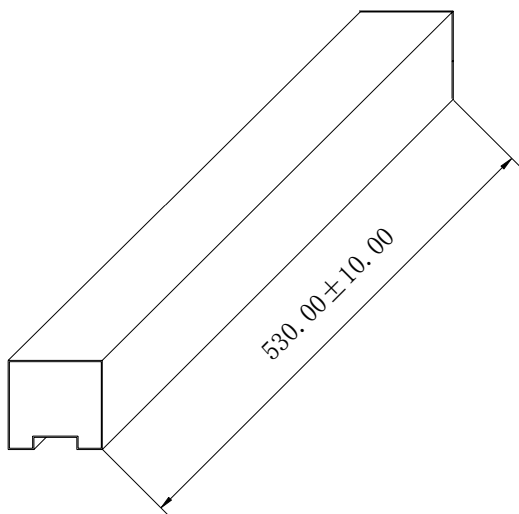


Headquarter: 13F, No. 111-5, Hsing Te Rd., Sun Chung City, Taipei Taiwan R.O.C.
TEL: +886-2-85123848 FAX: +886-2-85123862
Overseas Operation Office:
Hong Kong Shanghai Shenzhen

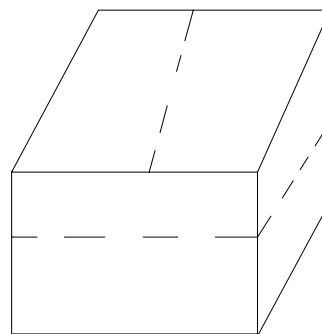


10/100/1000Base-T Quad Port Transformer Module

P/N: NS778804



INNER BOX: 575 (L) X 170 (W) X 87 (H)



EXPORT CARTON: 583 (L) X 380 (W) X 210 (H)

Units: mm

- 1、 MATERIAL TRANSPARENT: PVC
PLUG COLOR: WHITE
- 2、 ONE TUBE: 17PCS
- 3、 ONE INNER BOX: 408PCS
- 4、 ONE CARTON: 1632PCS

Headquarter: 13F, No. 111-5, Hsing Te Rd., Sun Chung City, Taipei Taiwan R.O.C.
TEL: +886-2-85123848 FAX: +886-2-85123862
Overseas Operation Office:
Hong Kong Shanghai Shenzhen