



10/100/1000Base-T Dual Port Transformer Module

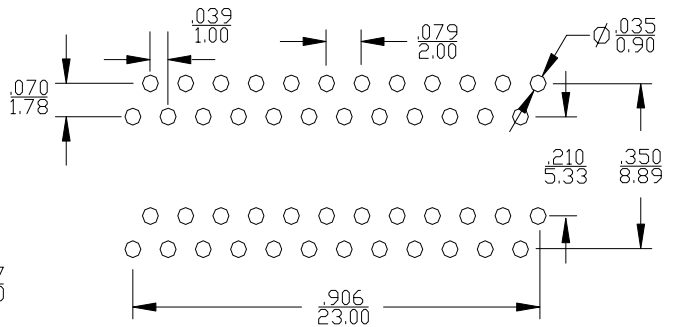
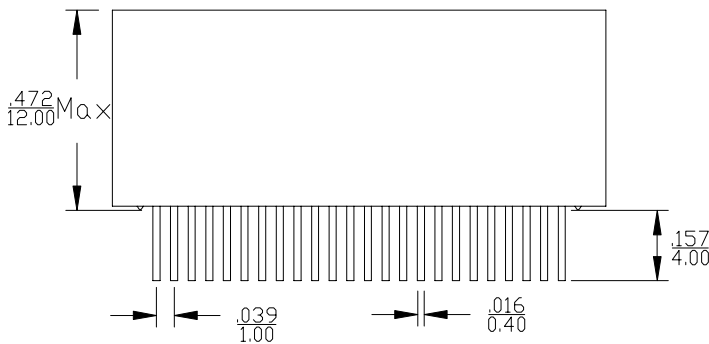
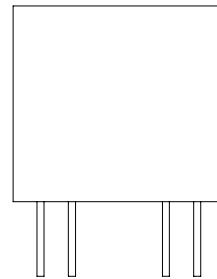
P/N: NS774803

- ★ Designed to meet IEEE 802.3ab and ANSI X3.263 requirement
- ★ Lead-Free & Designed to meet RoHS requirement
- ★ Primary inductance 350 μ H min. with 8mA DC Bias
- ★ Operating temperature range: 0 $^{\circ}$ C to +70 $^{\circ}$ C
- ★ Storage temperature range: 0 $^{\circ}$ C to +85 $^{\circ}$ C

Electrical Specifications @ 25 $^{\circ}$ C

Part Number	Turn Ratio	Insertion Loss 1~100MHz (dB Max)	Return Loss (dB Min)			Cross Talk (dB Min)			DCMR (dB Min)			Hi-Pot (Vrms MIN)
			1-30MHz	60 - 80MHz	100MHz	30MHz	60MHz	80-100MHz	30MHz	60MHz	100MHz	
NS774803	1CT:1CT	-1.0	-16	-12	-10	-45	-40	-32	-42	-35	-32	1500

Mechanical



PCB Layout mounting Hole (Top View)

Dimensions: Inches/mm

Unless otherwise specified, tolerances: xx.x0 \pm 0.25(mm)

0.xx \pm 0.05(mm)

Data sheet subject to change without notice

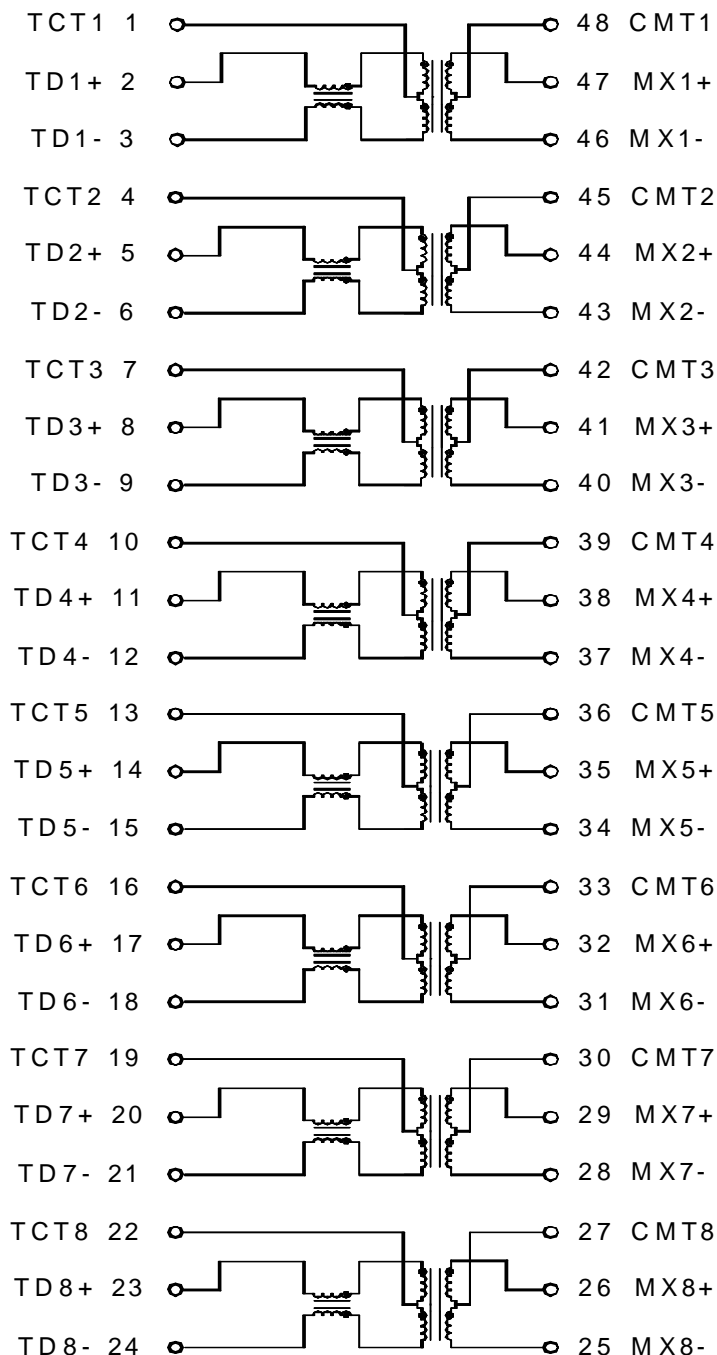
Headquarter: 13F, No. 111-5, Hsing Te Rd., Sun Chung City, Taipei Taiwan R.O.C.
 TEL: +886-2-85123848 FAX: +886-2-85123862
 Overseas Operation Office:
 Hong Kong Shanghai Shenzhen



P/N: NS774803

10/100/1000Base-T Dual Port Transformer Module

Schematics



Headquarter: 13F, No. 111-5, Hsing Te Rd., Sun Chung City, Taipei Taiwan R.O.C.

TEL: +886-2-85123848 FAX: +886-2-85123862

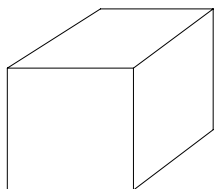
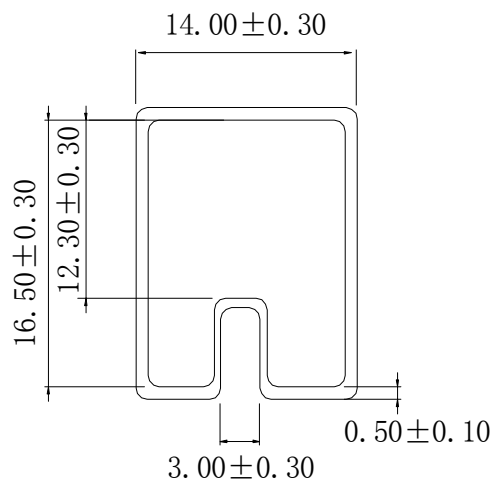
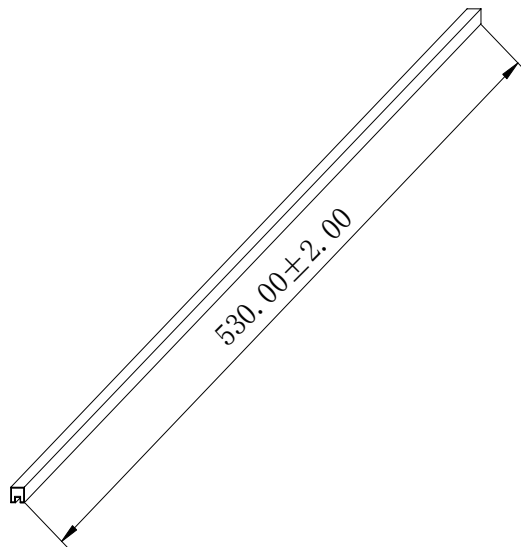
Overseas Operation Office:

Hong Kong Shanghai Shenzhen

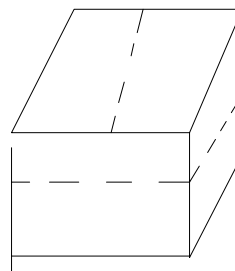


P/N: NS774803

10/100/1000Base-T Dual Port Transformer Module



INNER BOX: 575 (L) X 170 (W) X 87 (H)



EXPORT CARTON: 583 (L) X 380 (W) X 210 (H)

Units: mm

- 1、 MATERIAL TRANSPARENT: PVC
PLUG COLOR: WHITE
- 2、 ONE TUBE: 18PCS
- 3、 ONE INNER BOX: 900PCS
- 4、 ONE CARTON: 3600PCS

Headquarter: 13F, No. 111-5, Hsing Te Rd., Sun Chung City, Taipei Taiwan R.O.C.

TEL: +886-2-85123848 FAX: +886-2-85123862

Overseas Operation Office:

Hong Kong Shanghai Shenzhen