



10/100 /1000 Base-T Dual Port Transformer module

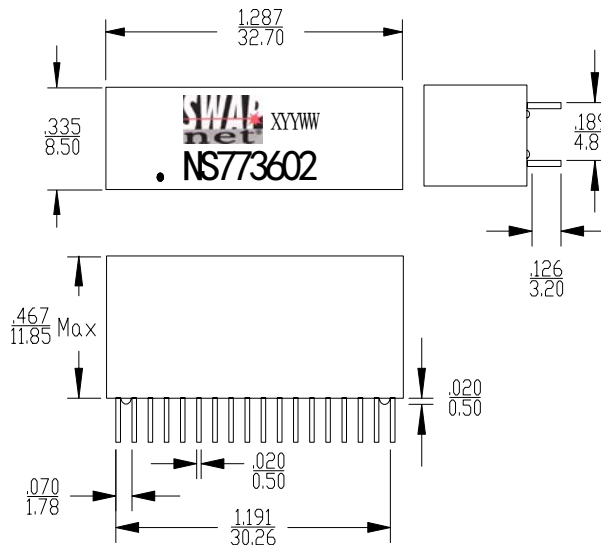
P/N: NS773602

- ★ Designed to meet IEEE802.3ab requirement
- ★ Lead-Free & Designed to meet ROHS requirement
- ★ Primary inductance 350μH min with 8mA DC Bias
- ★ Operating temperature range: 0°C to +70°C
- ★ Storage temperature range: 0°C to +85°C

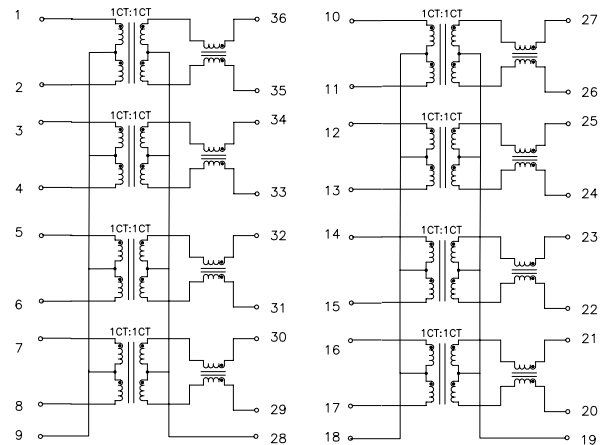
Electrical Specifications @ 25°C

Part Number	Turn Ratio		Insertion Loss 0.1~100MHz (dB Max)	Return Loss (dB Min)				Cross Talk (dB Min)		DCMR (dB Min)		Hi-Pot (Vrms MIN)
	Tx	Rx		30MHz	40MHz	80MHz	100 MHz	60MHz	100MHz	30MHz-	100MHz	
NS773602	1:1	1:1	-1.1	-18	-14.4	-12	-11	-35	-30	-40	-35	1500

Mechanical



Schematic



Dimensions: Inches/mm

Unless otherwise specified, tolerances: xx.x0 ± 0.25 (mm)

0.xx ± 0.05 (mm)

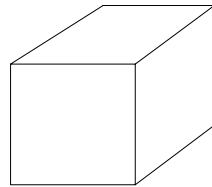
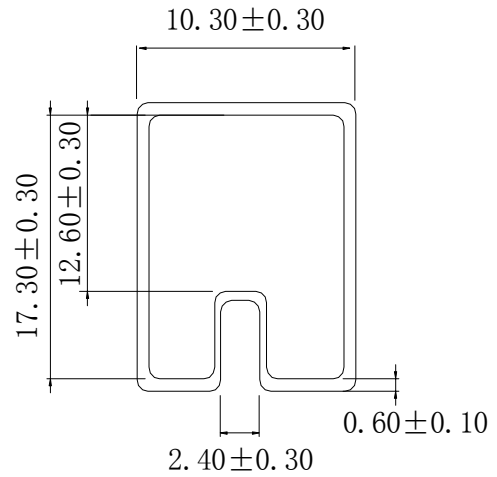
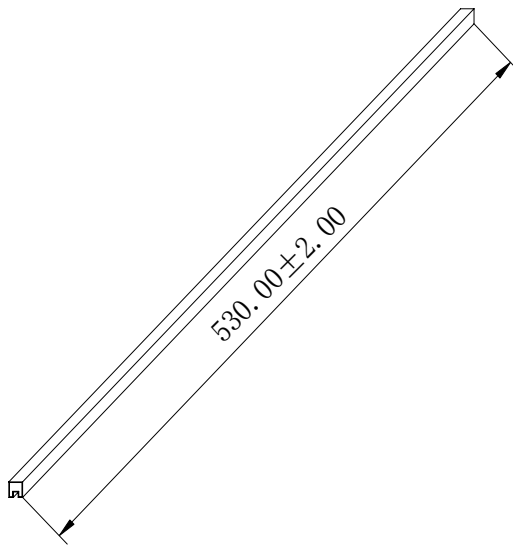
Data sheet subject to change without notice

Headquarter: 13F, No. 111-5, Hsing Te Rd., Sun Chung City, Taipei Taiwan R.O.C.
 TEL: +886-2-85123848 FAX: +886-2-85123862
 Overseas Operation Office:
 Hong Kong Shanghai Shenzhen

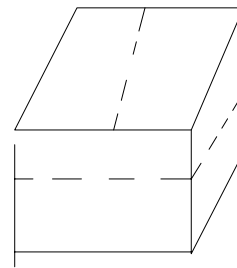


10/100 /1000 Base-T Dual Port Transformer module

P/N: NS773602



INNER BOX: 570 (L) X180 (W) X100 (H)



EXPORT CARTON: 580 (L) X380 (W) X240 (H)

Units: mm

- 1、 MATERIAL TRANSPARENT: PVC
PLUG COLOR: WHITE
- 2、 ONE TUBE: 15PCS
- 3、 ONE INNER BOX: 1050PCS
- 4、 ONE CARTON: 4200PCS

Headquarter: 13F, No. 111-5, Hsing Te Rd., Sun Chung City, Taipei Taiwan R.O.C.
TEL: +886-2-85123848 FAX: +886-2-85123862
Overseas Operation Office:
Hong Kong Shanghai Shenzhen