



10/100/1000Base-T Single Port Transformer Module

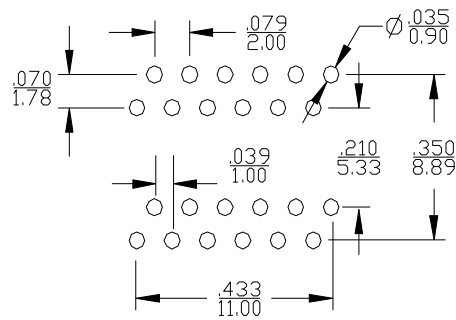
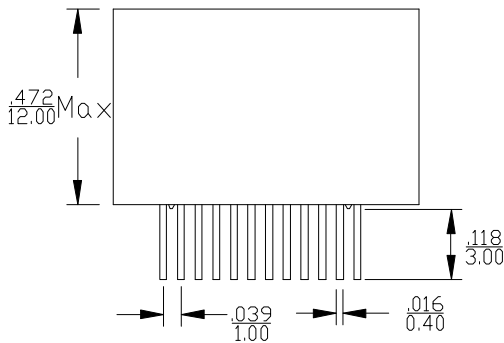
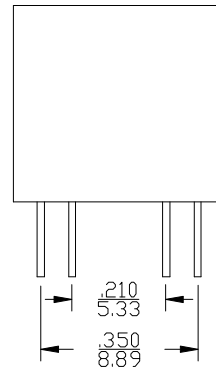
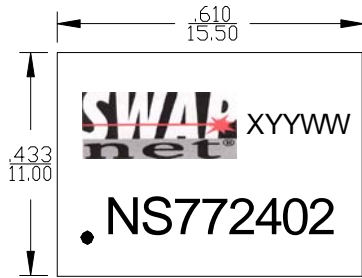
P/N: NS772402

- ★ Designed to meet IEEE 802.3ab and ANSI X3.263 requirement
- ★ Lead-Free & Designed to meet RoHS requirement
- ★ Primary inductance 350μH min. with 8mA DC Bias
- ★ Operating temperature range: 0°C to +70°C
- ★ Storage temperature range: 0°C to +85°C

Electrical Specifications @ 25°C

Part Number	Turn Ratio	Insertion Loss 1~100MHz (dB Max)	Return Loss (dB Min)			Cross Talk (dB Min)			DCMR (dB Min)			Hi-Pot (Vrms MIN)
			1-30MHz	60 - 80MHz	100MHz	30MHz	60MHz	80-100MHz	30MHz	60MHz	100MHz	
NS772402	1CT:1CT	-1.0	-16	-12	-10	-45	-40	-32	-42	-35	-32	1500

Mechanical



PCB Layout mounting Hole (Top View)

Dimensions: Inches/mm

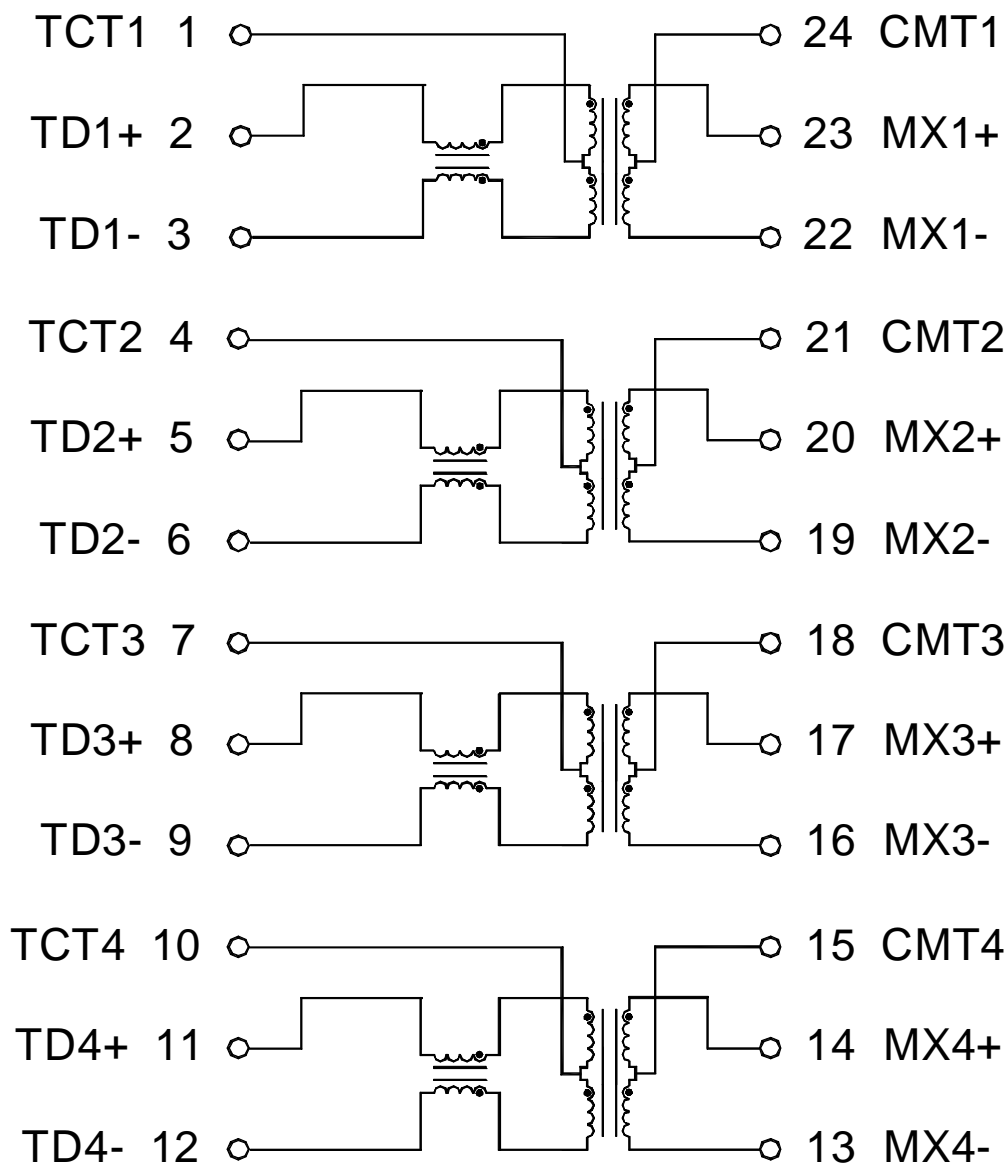
Unless otherwise specified, tolerances: xx.x0 ± 0.25 (mm)

0.xx ± 0.05 (mm)

Data sheet subject to change without notice

Headquarter: 13F, No. 111-5, Hsing Te Rd., Sun Chung City, Taipei Taiwan R.O.C.
 TEL: +886-2-85123848 FAX: +886-2-85123862
 Overseas Operation Office:
 Hong Kong Shanghai Shenzhen

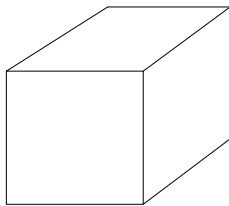
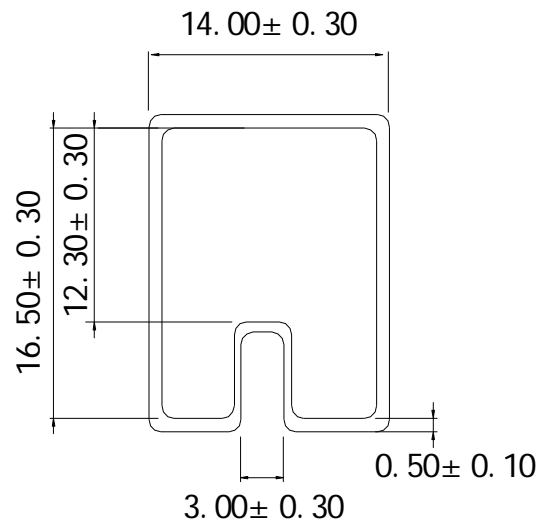
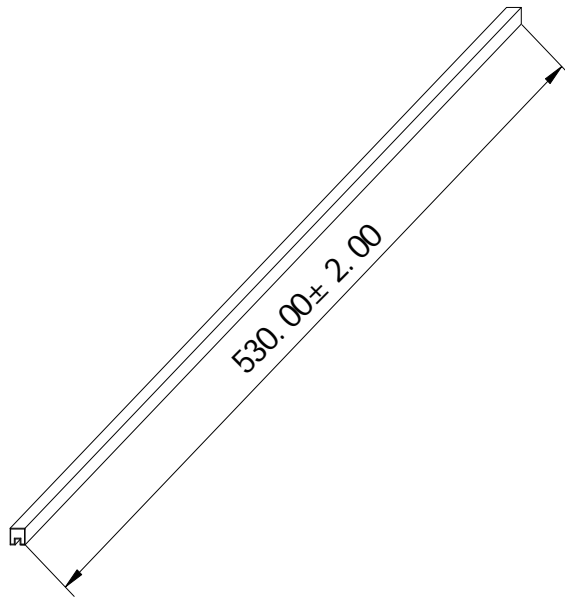
Schematics



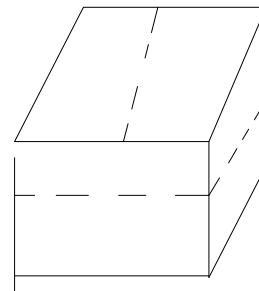


10/100/1000Base-T Single Port Transformer Module

P/N: NS772402



INNER BOX: 575(L) X 170(W) X 87(H)



EXPORT CARTON: 583(L) X 380(W) X 210(H)

Units: mm

- 1、MATERIAL TRANSPARENT: PVC
PLUG COLOR: WHITE
- 2、ONE TUBE : 32PCS
- 3、ONE INNER BOX : 1600PCS
- 4、ONE CARTON : 6400PCS

Headquarter: 13F, No. 111-5, Hsing Te Rd., Sun Chung City, Taipei Taiwan R.O.C.
TEL: +886-2-85123848 FAX: +886-2-85123862
Overseas Operation Office:
Hong Kong Shanghai Shenzhen