



10/100/1000Base-T Single Port Transformer module

P/N: NS771802

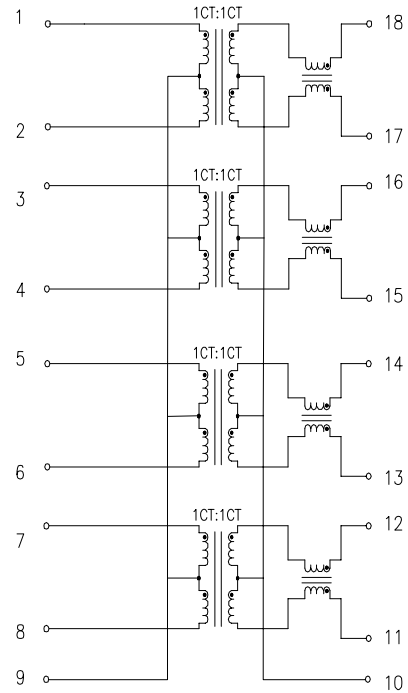
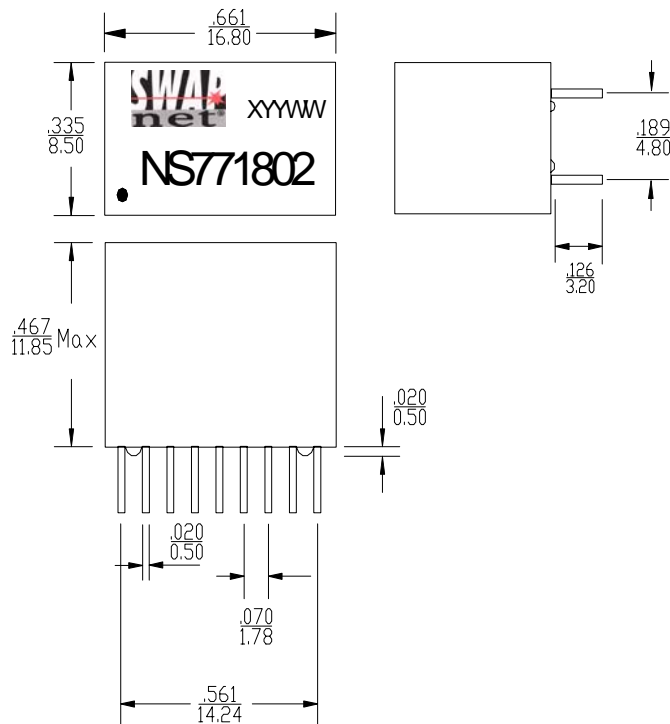
- ★ Designed to meet IEEE802.3ab requirement
- ★ Lead-Free & Designed to meet RoHS requirement
- ★ Primary inductance 350μH min with 8mA DC Bias
- ★ Operating temperature range: 0°C to +70°C
- ★ Storage temperature range: 0°C to +85°C

Electrical Specifications @ 25°C

Part Number	Turn Ratio		Insertion Loss 0.1~100MHz (dB Max)	Return Loss (dB Min)				Cross Talk (dB Min)		CMRR (dB Min)	Hi-Pot (Vrms MIN)
	Tx	Rx		40MHz	60MHz	80MHz	100 MHz	60MHz	100MHz		
NS771802	1:1	1:1	-1.0	-18	-13	-12	-10	-35	-35	-40	1500

Mechanical

Schematic



Dimensions: Inches/mm

Unless otherwise specified, tolerances: $xx.x0 \pm 0.25$ (mm)

$0.xx \pm 0.05$ (mm)

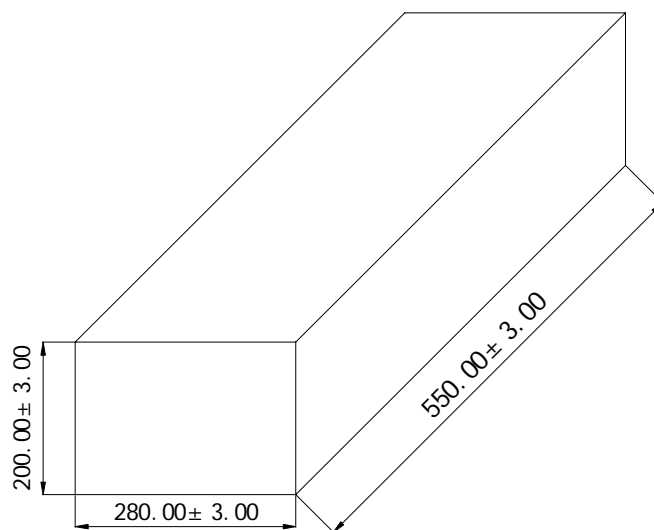
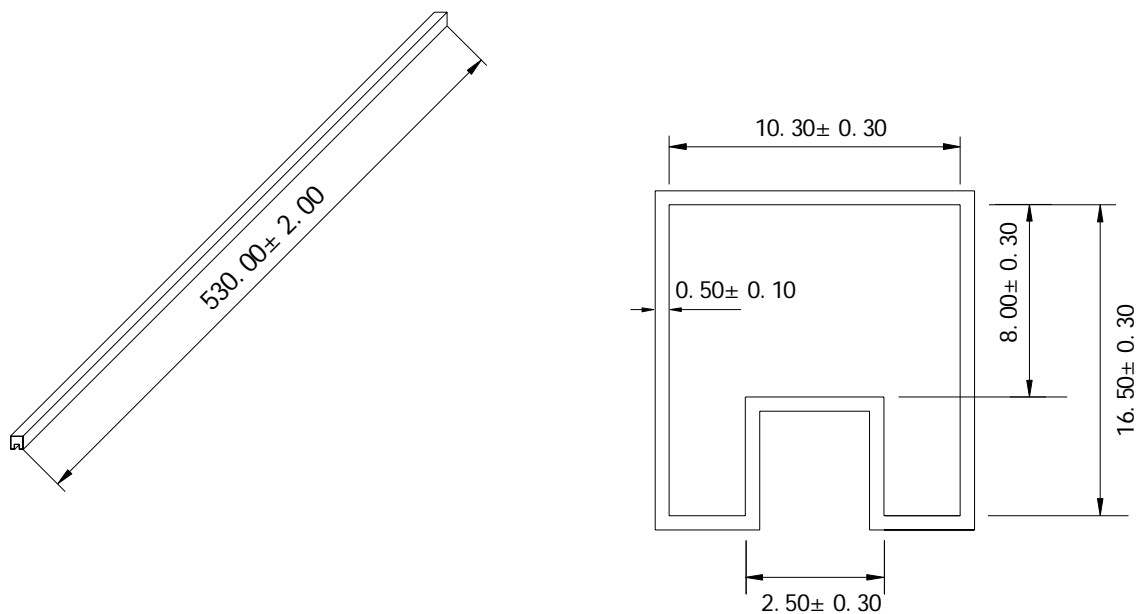
Data sheet subject to change without notice

Headquarter: 13F, No. 111-5, Hsing Te Rd., Sun Chung City, Taipei Taiwan R.O.C.
 TEL: +886-2-85123848 FAX: +886-2-85123862
 Overseas Operation Office:
 Hong Kong Shanghai Shenzhen



10/100/1000Base-T Single Port Transformer module

P/N: NS771802



Units: mm

- 1、MATERIAL TRANSPARENT: PVC
PLUG COLOR: WHITE
- 2、ONE TUBE : 30PCS
- 3、ONE CARTON : 3000PCS

Headquarter: 13F, No. 111-5, Hsing Te Rd., Sun Chung City, Taipei Taiwan R.O.C.
TEL: +886-2-85123848 FAX: +886-2-85123862
Overseas Operation Office:
Hong Kong Shanghai Shenzhen