



P/N: NS774002

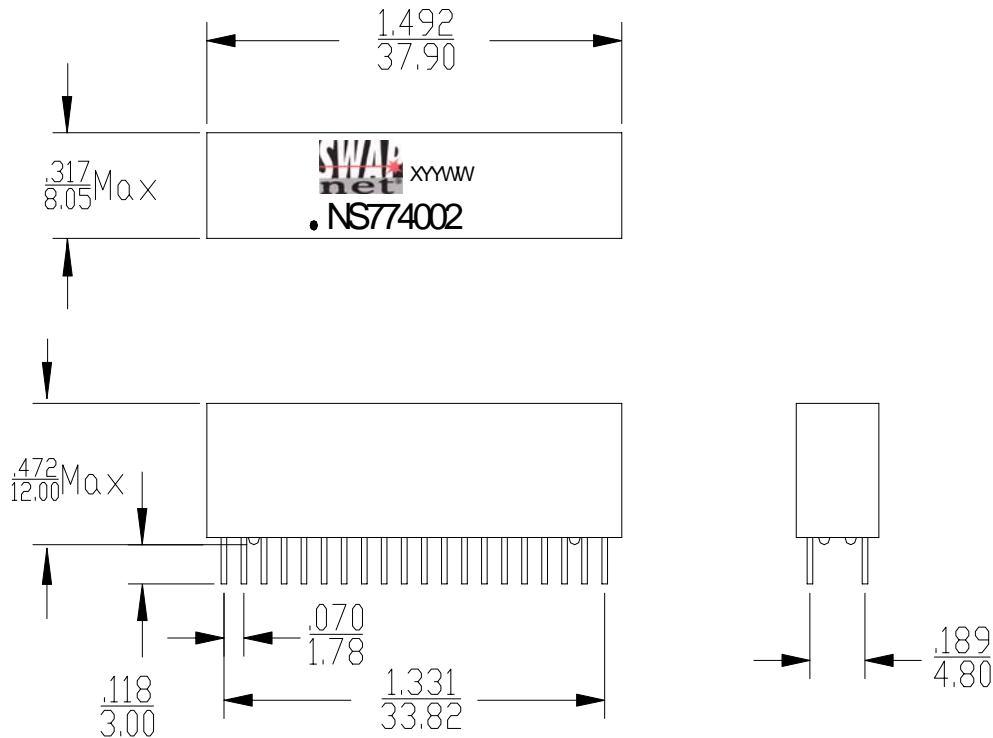
10/100Base-T Quad Port Transformer Module

- ★ Designed to meet IEEE 802.3u/ANSI X3.263 requirement
- ★ Symmetrical Tx and RX channels for auto MDI/MDIX capability
- ★ Lead-Free & Designed to meet ROHS requirement
- ★ Primary inductance 350μH min. with 8mA DC Bias
- ★ Operating temperature range: 0°C to +70°C
- ★ Storage temperature range: 0°C to +85°C

Electrical Specifications @ 25°C

Part Number	Turn Ratio	Insertion Loss 1~100MHz (dB Max)	Return Loss (dB Min)				Cross Talk (dB Min)		DCMR (dB Min)		CWW (PF Max)	LK (μH Max)	Hi-Pot (Vrms MIN)
			1-30MHz	40MHz	50MHz	80MHz	30MHz	100MHz	60MHz	200MHz	Tx & Rx	Tx & Rx	
NS774002	1CT:1CT	-1.0	-18	-14.5	-13.5	-12	-50	-33	-37	-25	56	0.6	1500

Mechanical



Dimensions: Inches/mm

Unless otherwise specified, tolerances: xx.x0 ± 0.25 (mm)

0.xx ± 0.05 (mm)

Data sheet subject to change without notice

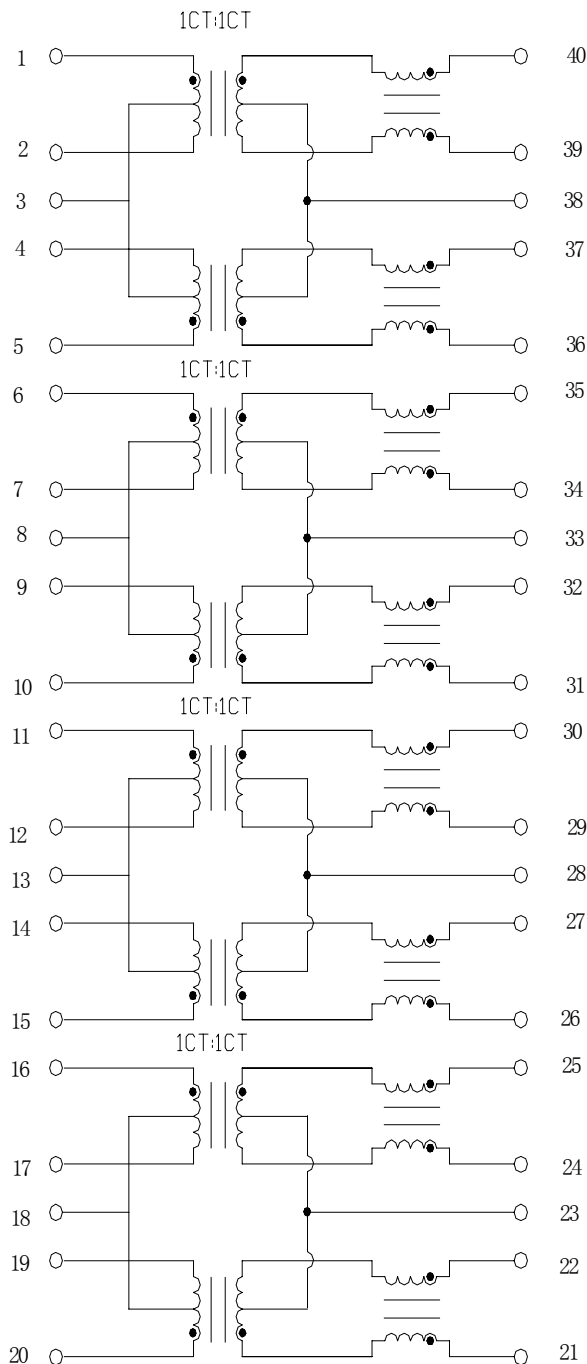
Headquarter: 13F, No. 111-5, Hsing Te Rd., Sun Chung City, Taipei Taiwan R.O.C.
 TEL: +886-2-85123848 FAX: +886-2-85123862
 Overseas Operation Office:
 Hong Kong Shanghai Shenzhen



P/N: NS774002

10/100Base-T Quad Port Transformer Module

Schematics

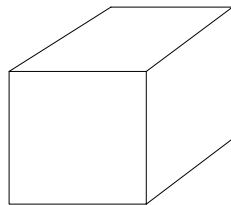
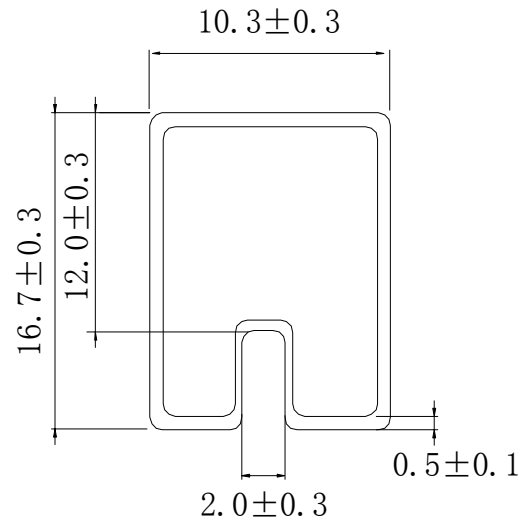
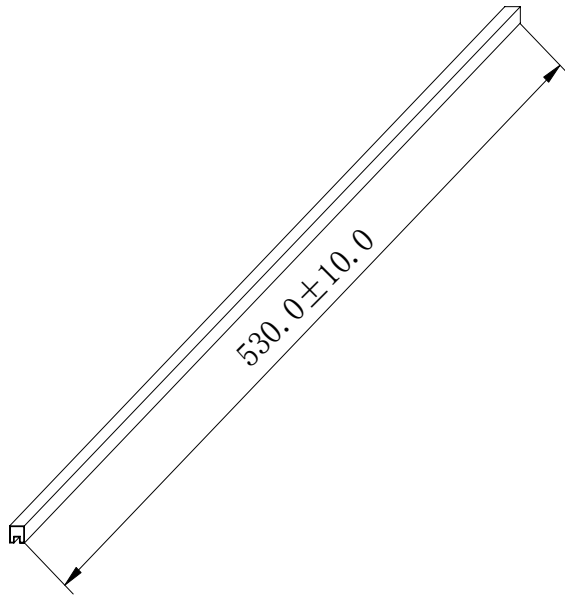


Headquarter: 13F, No. 111-5, Hsing Te Rd., Sun Chung City, Taipei Taiwan R.O.C.
TEL: +886-2-85123848 FAX: +886-2-85123862
Overseas Operation Office:
Hong Kong Shanghai Shenzhen

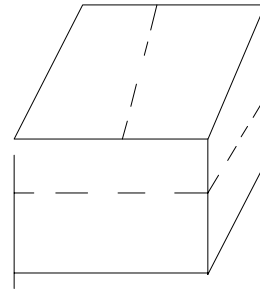


P/N: NS774002

10/100Base-T Quad Port Transformer Module



INNER BOX: 570 (L) X 180 (W) X 100 (H)



EXPORT CARTON: 580 (L) X 380 (W) X 240 (H)

Units: mm

- 1、 MATERIAL TRANSPARENT: PVC
PLUG COLOR: WHITE
- 2、 ONE TUBE: 13PCS
- 3、 ONE INNER BOX: 780PCS
- 4、 ONE CARTON: 3120PCS

Headquarter: 13F, No. 111-5, Hsing Te Rd., Sun Chung City, Taipei Taiwan R.O.C.
TEL: +886-2-85123848 FAX: +886-2-85123862
Overseas Operation Office:
Hong Kong Shanghai Shenzhen