



10/100 Base-T Dual Port Transformer Module

P/N: NS772001

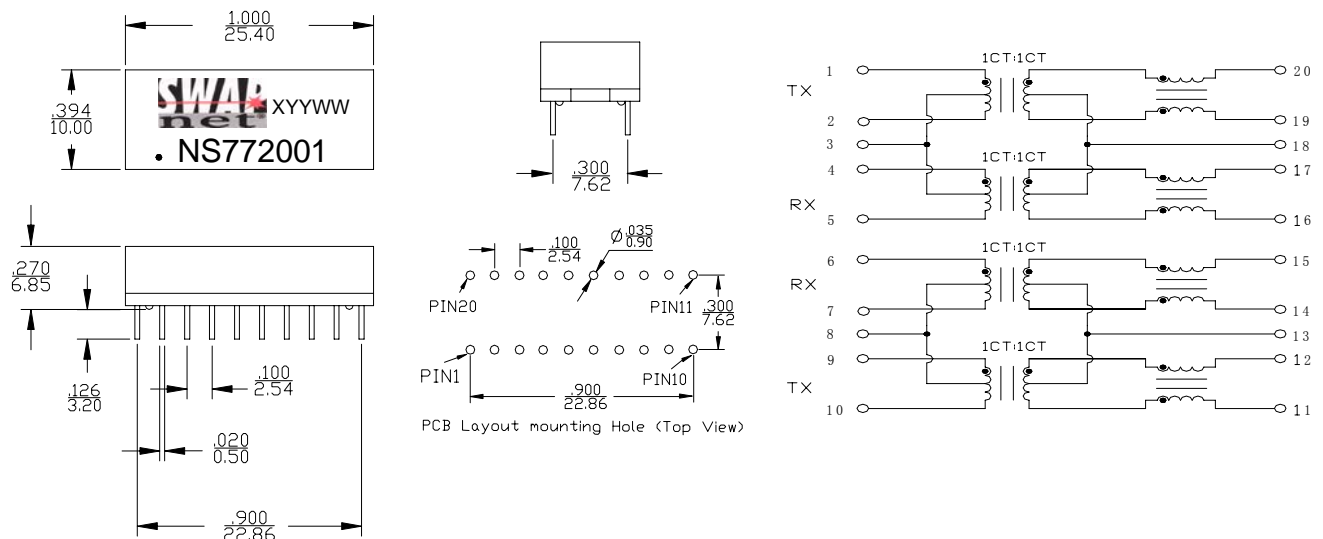
- ★ Designed to meet IEEE802.3u requirement
- ★ Lead-Free & Designed to meet RoHS requirement
- ★ Primary inductance 350μH min with 8mA DC Bias
- ★ Operating temperature range: 0°C to +70°C
- ★ Storage temperature range: 0°C to +85°C

Electrical Specifications @ 25°C

Part Number	Turn Ratio		Insertion Loss 1~100MHz (dB Max)	Return Loss (dB Min)				Cross Talk (dB Min)		CMRR (dB Min)	Hi-Pot (Vrms MIN)
	Tx	Rx		30MHz	40MHz	50MHz	80 MHz	60MHz	100MHz		
NS772001	1:1	1:1	-1.1	-18	-15	-13	-11	-38	-38	-40	1500

Mechanical

Schematic



Dimensions: Inches/mm

Unless otherwise specified, tolerances: xx.x0 ± 0.25 (mm)

0.xx ± 0.05 (mm)

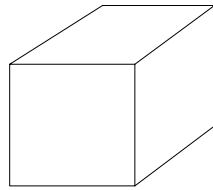
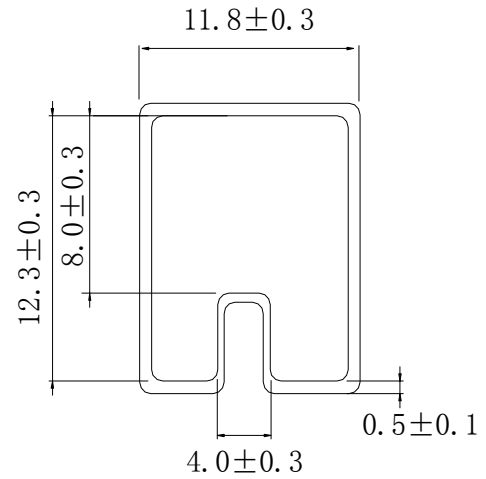
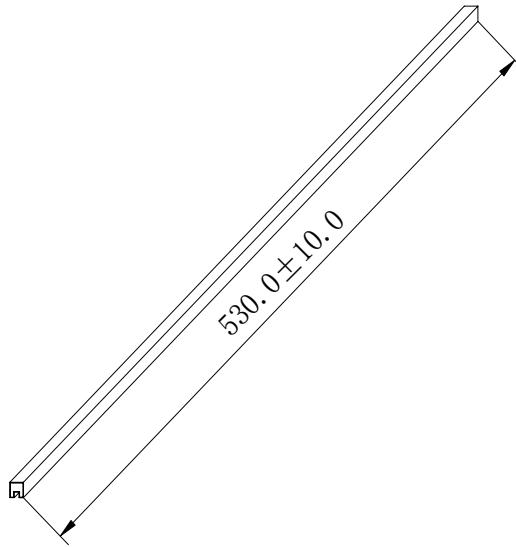
Data sheet subject to change without notice

Headquarter: 13F, No. 111-5, Hsing Te Rd., Sun Chung City, Taipei Taiwan R.O.C.
 TEL: +886-2-85123848 FAX: +886-2-85123862
 Overseas Operation Office:
 Hong Kong Shanghai Shenzhen

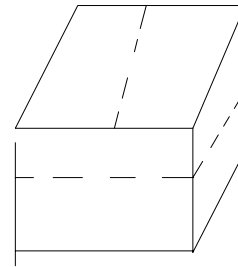


10/100 Base-T Dual Port Transformer Module

P/N: NS772001



INNER BOX: 570 (L) X 180 (W) X 100 (H)



EXPORT CARTON: 580 (L) X 380 (W) X 240 (H)

Units: mm

- 1、 MATERIAL TRANSPARENT: PVC
PLUG COLOR: WHITE
- 2、 ONE TUBE: 20PCS
- 3、 ONE INNER BOX: 1400PCS
- 4、 ONE CARTON: 5600PCS

Headquarter: 13F, No. 111-5, Hsing Te Rd., Sun Chung City, Taipei Taiwan R.O.C.
TEL: +886-2-85123848 FAX: +886-2-85123862
Overseas Operation Office:
Hong Kong Shanghai Shenzhen