



10/100Base-T Quad Port Transformer Module

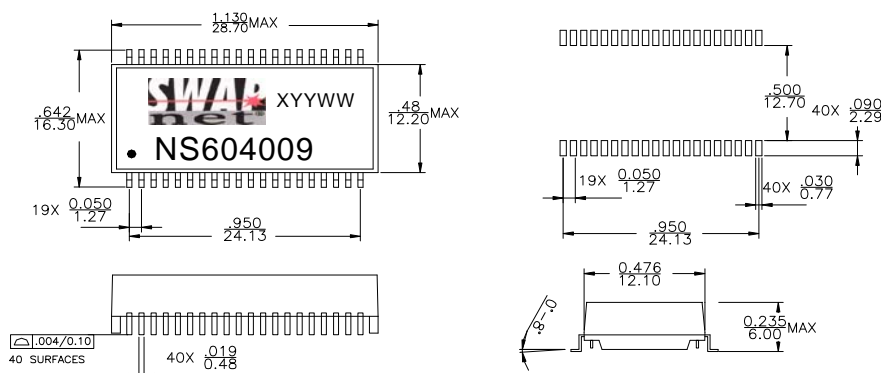
P/N: NS604009

- ★ Designed to meet IEEE802.3u requirement
- ★ Lead-Free & Designed to meet RoHS requirement
- ★ Designed to meet IR 255°C peak Requirement.
- ★ Primary inductance 350μH min. with 8mA DC Bias
- ★ Operating temperature range: -40°C to +85°C
- ★ Storage temperature range: 0°C to +85°C

Electrical Specifications @ 25°C

Part Number	Turn Ratio	Insertion Loss 1~100MHz (dB Max)	Return Loss (dB Min)				Cross Talk (dB Min)			DCMR (dB Min)		Hi-Pot (Vrms MIN)
			1-30MHz	40-50MHz	50-60MHz	60-80MHz	30MHz	60MHz	80MHz	30-60MHz	60-100MHz	
NS604009	1CT:1CT	-1.1	-16	-14	-13	-10	-50	-40	-33	-38	-33	1500

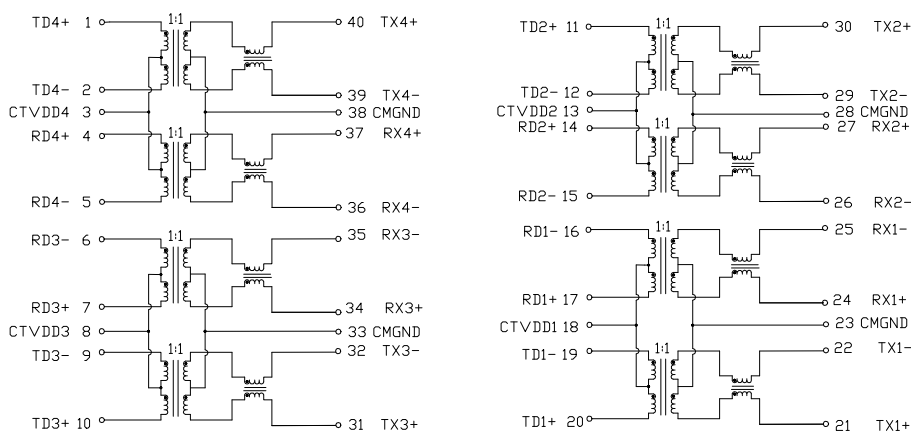
Mechanical



Dimensions: Inches/mm
 Unless otherwise specified, tolerances: XX.X0±0.25(mm)
 0.XX±0.05(mm)

Data sheet subject to change without notice

Schematics

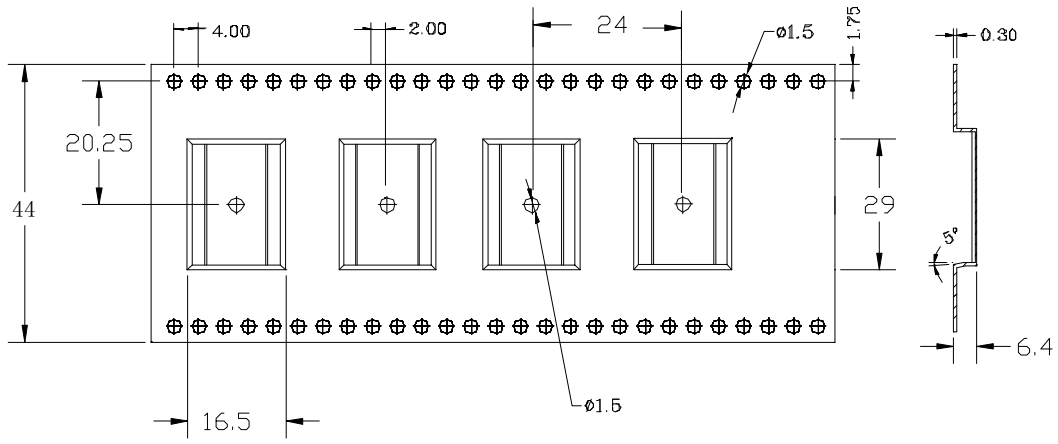


Headquarter: 13F, No. 111-5, Hsing Te Rd., Sun Chung City, Taipei Taiwan R.O.C.
 TEL: +886-2-85123848 FAX: +886-2-85123862
 Overseas Operation Office:
 Hong Kong Shanghai Shenzhen



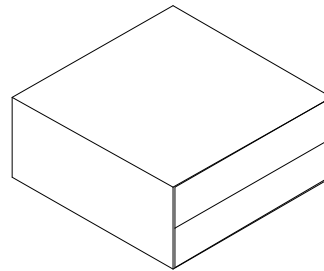
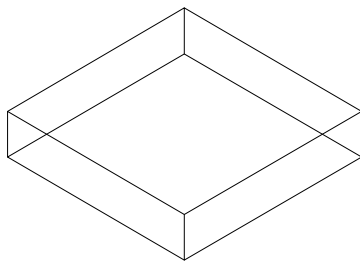
10/100Base-T Quad Port Transformer Module

P/N: NS604009



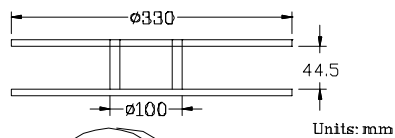
Units: mm Tolerances: ±0.10

REEL MECHANICAL DIMENSION

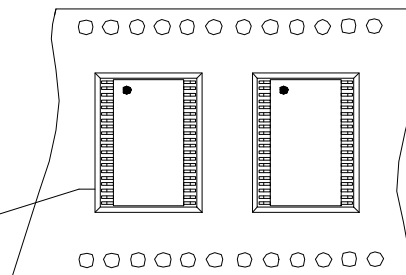
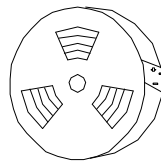


INNER CARTON: 34(L) x 34(W) x 7.6(H)

EXPORT CARTON: 36(L) x 36(W) x 15.6(H)



Units: mm



1. ONE ROLL: 400PCS
2. TWO ROLL IN INNER BOX: 800 PCS
3. TWO INNER BOX IN OUTER BOX: 1600PCS

Headquarter: 13F, No. 111-5, Hsing Te Rd., Sun Chung City, Taipei Taiwan R.O.C.

TEL: +886-2-85123848 FAX: +886-2-85123862

Overseas Operation Office:

Hong Kong Shanghai Shenzhen