



10/100/1000Base-T Dual Port Transformer Module

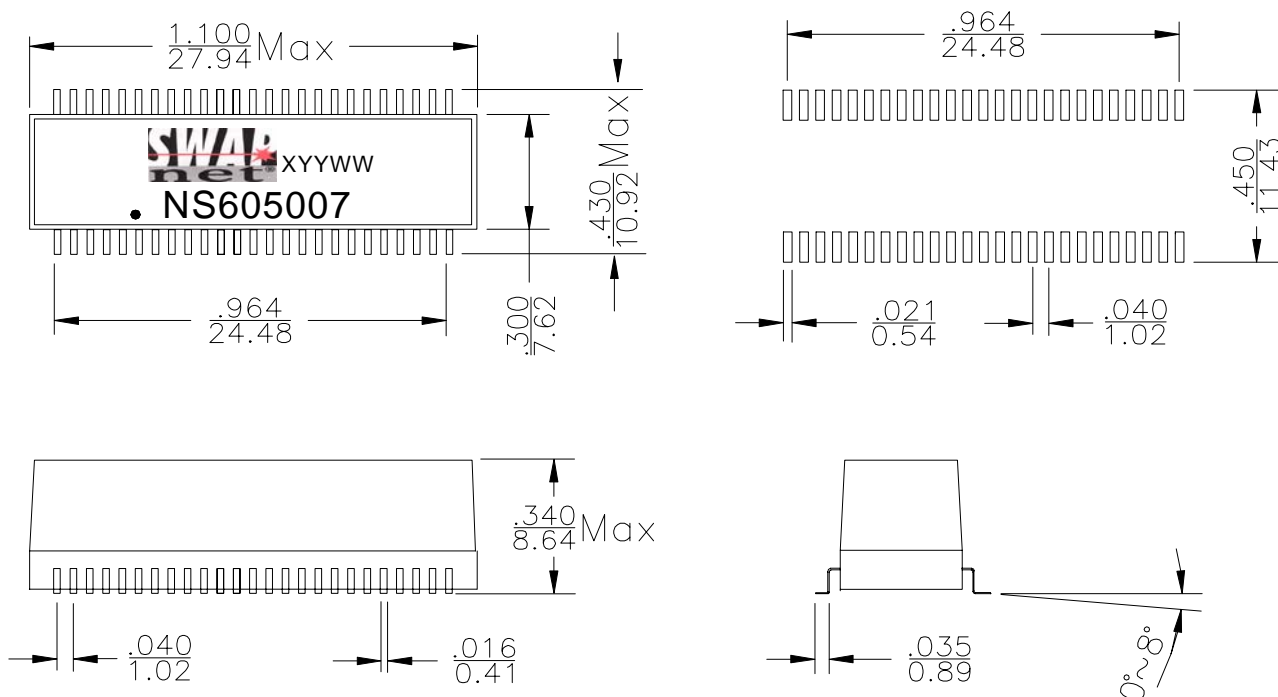
P/N: NS605007

- ★ IEEE 802.3ab/ANSI X3.263 compliant performance
- ★ Designed for IP phone or switch applications
- ★ Lead-Free & Designed to meet RoHS requirement
- ★ Designed to meet IR 255°C peak Requirement.
- ★ Primary inductance 350μH min. with 8mA DC Bias
- ★ Operating temperature range: 0°C to +70°C
- ★ Storage temperature range: 0°C to +85°C

Electrical Specifications @ 25°C

Part Number	Turn Ratio (±3%)	Insertion Loss 1~100MHz (dB Max)	Return Loss (dB Min)				Cross Talk (dB Min)			DCMR (dB Min)		Hi-Pot (Vrms MIN)
			1-30MHz	40-50MHz	60-80MHz	100MHz	30MHz	60MHz	100MHz	1-60MHz	60-100MHz	
NS605007	1CT:1CT	-1.0	-18	-13.1	-12	-10	-40	-33	-28	-40	-35	1500

Mechanical



Dimensions: Inches/mm

Unless otherwise specified, tolerances: XX.X0±0.25(mm)
0.XX±0.05(mm)

Data sheet subject to change without notice

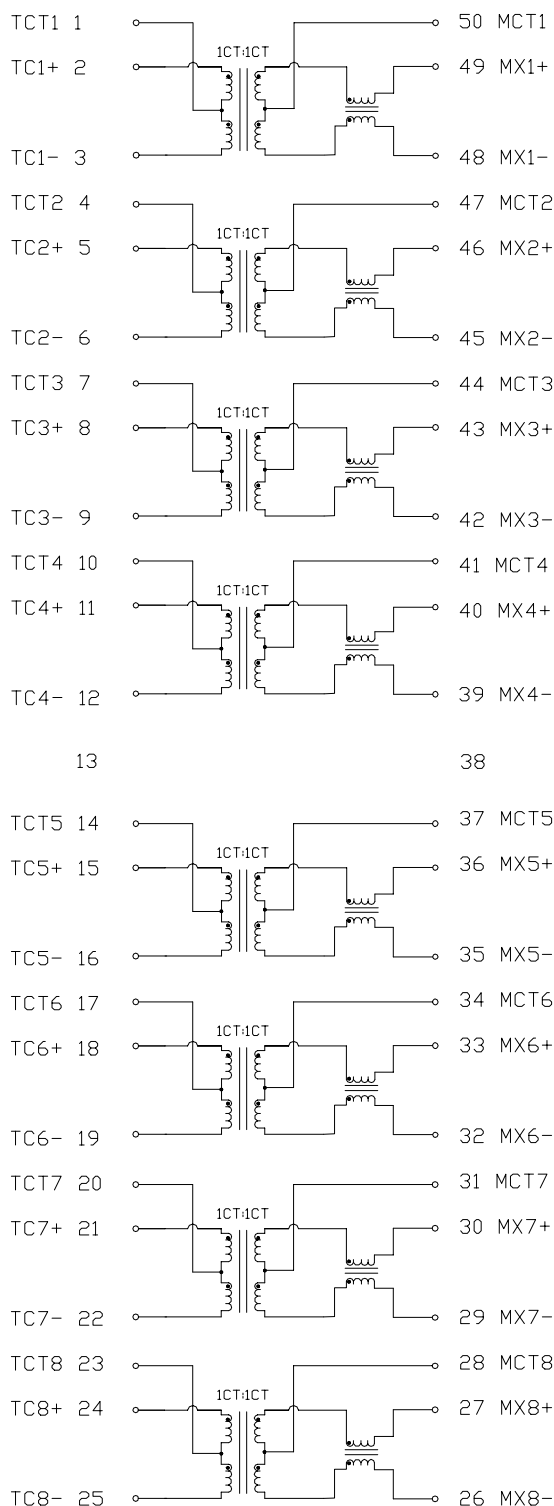
Headquarter: 13F, No. 111-5, Hsing Te Rd., Sun Chung City, Taipei Taiwan R.O.C.
 TEL: +886-2-85123848 FAX: +886-2-85123862
 Overseas Operation Office:
 Hong Kong Shanghai Shenzhen



P/N: NS605007

10/100/1000Base-T Dual Port Transformer Module

Schematics

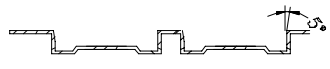
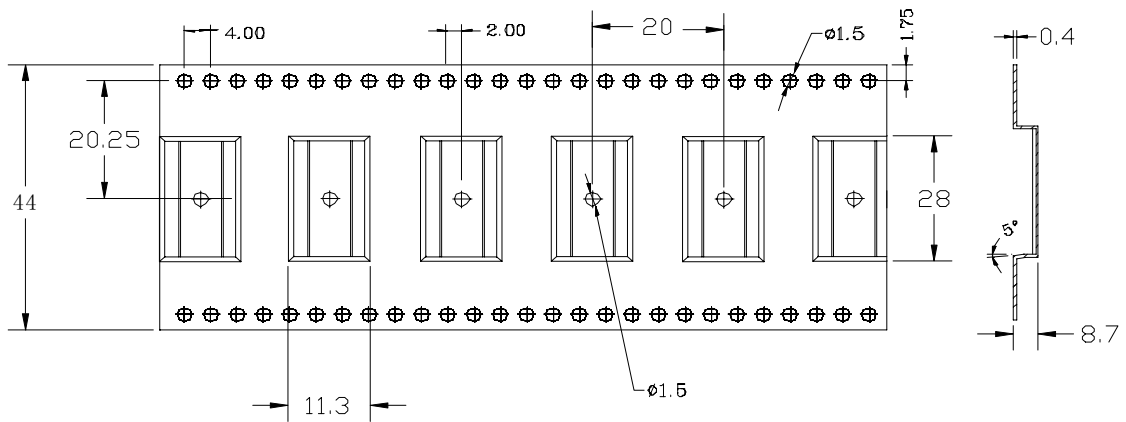


Headquarter: 13F, No. 111-5, Hsing Te Rd., Sun Chung City, Taipei Taiwan R.O.C.
 TEL: +886-2-85123848 FAX: +886-2-85123862
 Overseas Operation Office:
 Hong Kong Shanghai Shenzhen



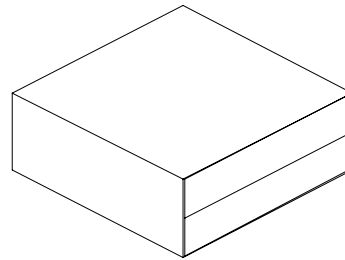
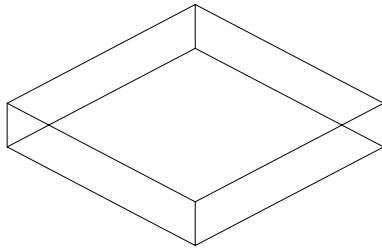
10/100/1000Base-T Dual Port Transformer Module

P/N: NS605007



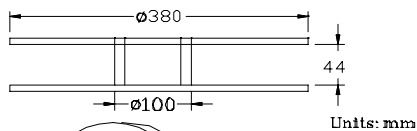
Units: mm Tolerances: ±0.10

REEL MECHANICAL DIMENSION

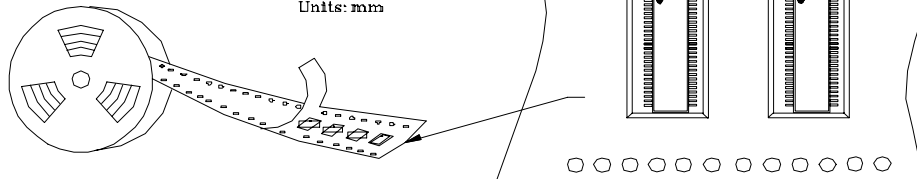


INNER CARTON: 390(L) x 390(W) x 115(H)

EXPORT CARTON: 410(L) x 410(W) x 255(H)



Units: mm



- 1. ONE ROLL: 400PCS
- 2. TWO ROLL BOX: 800 PCS
- 3. TWO BOX CARTON: 1600PCS

Headquarter: 13F, No. 111-5, Hsing Te Rd., Sun Chung City, Taipei Taiwan R.O.C.

TEL: +886-2-85123848 FAX: +886-2-85123862

Overseas Operation Office:

Hong Kong Shanghai Shenzhen